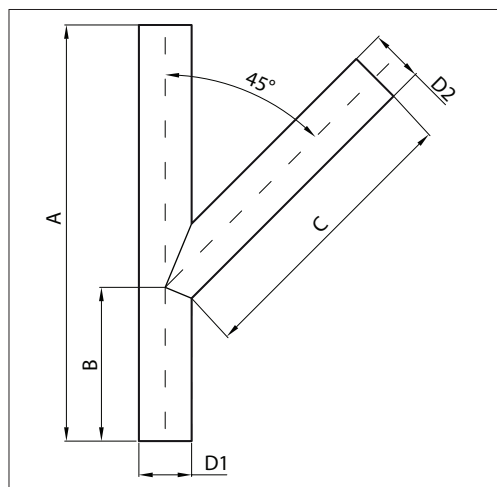




Gaffelstukken 45°



Kenmerken

- Geproduceerd uit koudgewalste buis volgens DIN 11850 / DIN 17457
- Materiaal : RVS 304/RVS 304L (1.4301/1.4307)
- Lasergesneden en éézijdig gelast

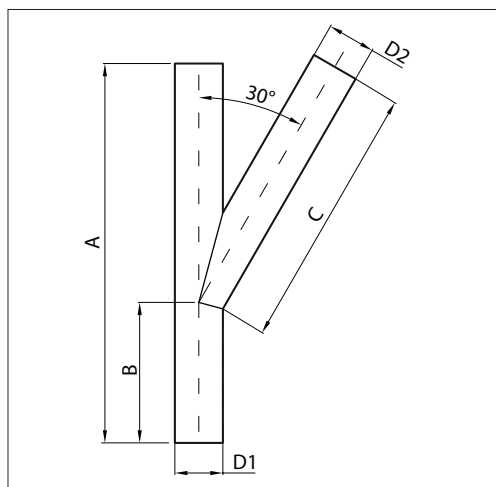
Opties

- Andere materiaalsoorten, o.a. RVS 316, St. 12.03, aluminium etc.
- Formeergas gelast

Diameter (uitw.) x wanddikte in mm (D1/D2)	Hoek	A in mm	B in mm	C in mm	Artikel nummer
38,0 x 1,5	45°	300	103	206	L3T50380038015
40,0 x 1,5	45°	300	115	207	L3T50400040015
40,0 x 2,0	45°	300	115	207	L3T50400040020
45,0 x 1,5	45°	300	101	205	L3T50450045015
50,0 x 1,5	45°	300	95	205	L3T50500050015
50,0 x 2,0	45°	300	95	185	L3T50500050020
54,0 x 2,0	45°	300	95	208,8	L3T50540054020
60,3 x 1,5	45°	350	100	210	L3T50603060315
60,3 x 2,0	45°	350	100	210	L3T50603060320
63,5 x 2,0	45°	350	145	220	L3T50635063520
65,0 x 1,5	45°	350	145	220	L3T50650065015
65,0 x 2,0	45°	350	145	220	L3T50650065020
70,0 x 2,0	45°	400	105	285	L3T50700070020
76,1 x 2,0	45°	410	140	260	L3T50761076120
80,0 x 1,5	45°	400	140	240	L3T50800080015
80,0 x 2,0	45°	400	140	240	L3T50800080020
84,0 x 2,0	45°	370	75	240	L3T50840084020
85,0 x 2,0	45°	520	200	283	L3T50850085020
88,9 x 2,0	45°	420	130	282	L3T50889088920
100,0 x 1,5	45°	450	150	300	L3T51000100015
101,6 x 2,0	45°	450	150	300	L3T51016101620
104,0 x 2,0	45°	500	170	300	L3T51040104020
114,3 x 2,0	45°	550	200	325	L3T51143114320
129,0 x 2,0	45°	600	223	325	L3T51290129020
139,7 x 2,0	45°	550	150	350	L3T51397139720
154,0 x 2,0	45°	650	250	380	L3T51540154020



Gaffelstukken 30°



Kenmerken

- Geproduceerd uit koudgewalste buis volgens DIN 11850 / DIN 17457
- Materiaal : RVS 304/RVS 304L (1.4301/1.4307)
- Lasergesneden en éézijdig gelast

Opties

- Andere materiaalsoorten, o.a. RVS 316, St. 12.03, aluminium etc.
- Formeergas gelast

Diameter (uitw.) x wanddikte in mm (D1/D2)	Hoek	A in mm	B in mm	C in mm	Artikel nummer
38,0 x 1,5	30°	300	106	210	L3T30380038015
40,0 x 1,5	30°	300	110	210	L3T30400040015
40,0 x 2,0	30°	300	105	209	L3T30400040020
45,0 x 1,5	30°	300	104	210	L3T30450045015
50,0 x 1,5	30°	300	100	210	L3T30500050015
50,0 x 2,0	30°	300	100	204	L3T30500050020
54,0 x 2,0	30°	300	100	208	L3T30540054020
60,3 x 2,0	30°	350	106	210	L3T30603060320
63,5 x 2,0	30°	400	145	260,5	L3T30635063520
65,0 x 1,5	30°	400	145	260	L3T30650065015
65,0 x 2,0	30°	400	145	260	L3T30650065020
70,0 x 2,0	30°	450	140	280	L3T30700070020
76,1 x 2,0	30°	410	140	260	L3T30761076120
80,0 x 2,0	30°	500	145	348	L3T30800080020
84,0 x 2,0	30°	420	120	299,75	L3T30840084020
85,0 x 2,0	30°	570	200	345	L3T30850085020
88,9 x 2,0	30°	480	130	338	L3T30889088920
100,0 x 1,5	30°	550	185	350,6	L3T31000100015
101,6 x 2,0	30°	550	185	350	L3T31016101620
104,0 x 2,0	30°	550	200	366	L3T31040104020
114,3 x 2,0	30°	550	130	404,7	L3T31143114320
129,0 x 2,0	30°	700	223	450	L3T31290129020
139,7 x 2,0	30°	650	160	481,3	L3T31397139720
154,0 x 2,0	30°	650	160	479,4	L3T31540154020